

LUXEMBOURG

FOUR-LEG TABLE 31.5 X 31.5 IN.
 DESIGN BY FRÉDÉRIC SOFIA

ITEM 4135



TESTING STANDARDS - Upon request
 NF EN 581-1 (all products), NF EN 581-3 (tables)

WARRANTY

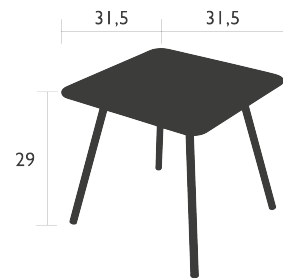
	IN ALUMINUM	IN STEEL
STRUCTURAL	3 YEARS	2 YEARS
FINISH	2 YEARS	1 YEAR

TECHNICAL FEATURE - STRUCTURE

RESIDENTIAL CONTRACT INTENSIVE **9** IPAC  



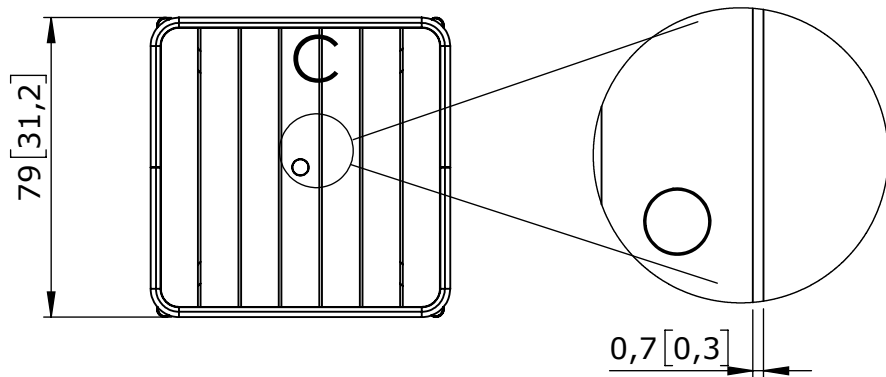
Aluminum slats table top
 Tubular aluminum base



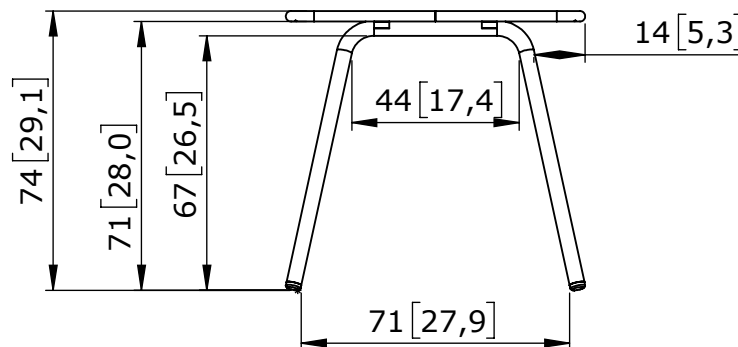
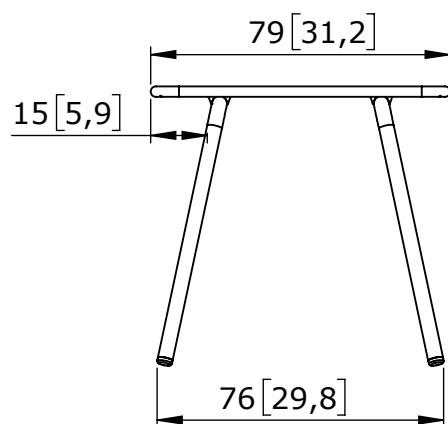
FURTHER INFORMATION

Bespoke project : Laser cutting, Ground attachment, Cable attachment, Special RAL, Silkscreen printing
 Spare parts : Parasol hole plug, Pads, Table top, Base / structure, Screws

20 lb



DÉTAIL C



FICHE DIMENSION CM [Inch]

Weight in Kg:14	inch/cm	Scale:1:20	Rev:A	Family Name: LUXEMBOURG	Reference: FTA_4135
		Parc Actival 01140 THOISSEY - FRANCE Tel: +33 (0) 474 04 94 88 Fax: +33 (0) 474 04 97 65		Product Name: TABLE 4 PIEDS 80x80 CM	
		Created:28/11/2019	Approved:19/06/2020	By:A.LORON	Sheet 1 / 1